

Honeywell BW™ Solo



Long-term solution

The Honeywell BW™ Solo is easy to operate and service and includes an extensive selection of sensor options. It can help reduce the cost of ownership for serviceable single-gas detectors and includes a wireless option for enabling connected workers. The profile is small and lightweight, and the design is ruggedized for years of reliable service. No need to take apart the Honeywell BW™ Solo for common maintenance tasks; simply pop off the front door to replace a sensor or filter, or remove a single screw for battery replacement. Optional wireless connectivity enables additional capabilities such as dock-less transfer of data and event logs, and real-time monitoring of worker safety.

Features & Benefits

- User-friendly operation
- Easy-to-read display
- Lightweight convenience
- Ease of maintenance
- Serviceability
- Connected Bluetooth Low Energy (BLE) capabilities

Standard Package Contents

- Detector complete with specified sensor, stainless steel alligator clip and concussion-proof housing
- Calibration/test cap and hose
- Quick Reference Guide

H ₂ S	Hydrogen Sulfide	ClO ₂	Chlorine Dioxide
CO ₂	Carbon Dioxide	NO	Nitrogen Oxide
CO	Carbon Monoxide	NO ₂	Nitrogen Dioxide
O ₂	Oxygen	HCN	Hydrogen Cyanide
SO ₂	Sulfur Dioxide	ETO	Ethylene Oxide
NH ₃	Ammonia	O ₃	Ozone
PH ₃	Phosphine	H ₂	Hydrogen
CL ₂	Chlorine	HCl	Hydrogen Chloride
		HF	Hydrogen Fluoride

General Specifications

Size	1-Series	2.75 x 2.6 x 0.9 in. / 7 x 6.65 x 2.4 cm
	4-Series	2.75 x 2.6 x 1.2 in. / 7 x 6.65 x 3.0 cm
Weight	3.3 oz. / 95g	
Typical battery life	12 months under normal operation (6 months - 1-Series O2)	
Certifications and Approvals	Class I, Div. 1, Gr. A, B, C, D T-Code T4 Class I, Zone 0 AEX/Ex ia IIC T4 -40°C ≤ Tamb ≤ +60°C ATEX: Ex II 1G Ex ia IIC T4 Ga, CE 2460 Ex I M1 Ex ia I Ma -40°C ≤ Tamb ≤ +60°C CE European Conformity IECEx: Ex ia IIC T4 Ga Ex ia I Ma -40°C ≤ Tamb ≤ +60°C	
Warranty	*Note: For current Warranty Information, please refer to https://sps.honeywell.com/us/en/support/safety/legal-documents/sst	

Gas Legend

Cl ₂	Chlorine(C)	NO	Nitric oxide (N)
ClO ₂	Chlorine dioxide (V)	NO ₂	Nitrogen dioxide (D)
CO	Carbon monoxide (M)	CO ₂	Carbon Dioxide (B)
O ₂	Oxygen (X)	ETO	Ethylene oxide (C2H4O) (E)
O ₃	Ozone (G)	H ₂ S	Hydrogen sulfide (H)
PH ₃	Phosphine (P)	HCN	Hydrogen cyanide (Z)
SO ₂	Sulfur dioxide (S)	NH ₃	Ammonia (A)
H ₂	Hydrogen (R)	HCL	Hydrochloric Acid
HF	Hydrogen Fluoride		

BW™ Solo - Wireless

	Yellow	Black
BW™ Solo - (Cl ₂) Wireless	BWS1-C-Y	
BW™ Solo - (Cl ₂) Wireless		BWS1-C-B
BW™ Solo - (ClO ₂) Wireless	BWS1-V-Y	
BW™ Solo - (ClO ₂) Wireless		BWS1-V-B
BW™ Solo - (CO) Wireless	BWS1-ML-Y	
BW™ Solo - (CO) Wireless		BWS1-ML-B
BW™ Solo – Carbon Dioxide (CO ₂) Wireless	BWS1-BL-Y	
BW™ Solo – Carbon Dioxide (CO ₂) Wireless		BWS1-BL-B
BW™ Solo - (CO-H ₂ resistant) Wireless	BWS1-M2-Y	
BW™ Solo - (CO-H ₂ resistant) Wireless		BWS1-M2-B
BW™ Solo - (ETO) Wireless	BWS1-E-Y	
BW™ Solo - (ETO) Wireless		BWS1-E-B
BW™ Solo - Hydrogen (H ₂) Wireless	BWS1-R-Y	
BW™ Solo - Hydrogen (H ₂) Wireless		BWS1-R-B
BW™ Solo - (H ₂ S) Wireless	BWS1-HL-Y	
BW™ Solo - (H ₂ S) Wireless		BWS1-HL-B
BW™ Solo - (H ₂ S ext range) Wireless	BWS1-H2-Y	
BW™ Solo - (H ₂ S ext range) Wireless		BWS1-H2-B
BW™ Solo - (HCN) Wireless	BWS1-Z-Y	
BW™ Solo - (HCN) Wireless		BWS1-Z-B
BW™ Solo - (NH ₃) Wireless	BWS1-A-Y	
BW™ Solo - (NH ₃) Wireless		BWS1-A-B
BW™ Solo - (NH ₃ ext range) Wireless	BWS1-A2-Y	
BW™ Solo - (NH ₃ ext range) Wireless		BWS1-A2-B
BW™ Solo - (NO) Wireless	BWS1-N-Y	
BW™ Solo - (NO) Wireless		BWS1-N-B
BW™ Solo - (NO ₂) Wireless	BWS1-D-Y	
BW™ Solo - (NO ₂) Wireless		BWS1-D-B
BW™ Solo - (O ₂) Wireless	BWS1-XL-Y	
BW™ Solo - (O ₂) Wireless		BWS1-XL-B
BW™ Solo - Ozone (O ₃) Wireless	BWS1-G-Y	
BW™ Solo - Ozone (O ₃) Wireless		BWS1-G-B
BW™ Solo - (PH ₃) Wireless	BWS1-P-Y	
BW™ Solo - (PH ₃) Wireless		BWS1-P-B
BW™ Solo - (SO ₂) Wireless	BWS1-S-Y	
BW™ Solo - (SO ₂) Wireless		BWS1-S-B
BW™ Solo - (HCL) Wireless	BWS1-HC-Y	
BW™ Solo - (HCL) Wireless		BWS1-HC-B
BW™ Solo - (HF) Wireless	BWS1-HF-Y	
BW™ Solo - (HF) Wireless		BWS1-HF-B

* Not available in North America

** Please contact customer service or your Honeywell Regional Sales Manager for availability



IntelliDoX, unmatched performance and customization.

The IntelliDoX instrument management system combines smart docking modules with Safety Suite software to provide automated instrument management, helping drive productivity, reliability and efficiency. Place the detector in the docking module, and it automatically tests the gas detector and sensors while transferring data to the docking station.

The IntelliDoX, via Safety Suite software, allows users to configure these settings for their BW Clip Series detectors:

- Display peak reading
- Time of peak reading
- Low alarm setpoint
- High alarm setpoint
- Real-time clock
- Display gas readings during alarm
- Bump test and calibration (BW Clip RT) reminder
- Non-compliance indicator
- Manual zero sensor
- Activate hibernation

Honeywell IntelliDox Automated Instrument Management System

	Order Number
Honeywell IntelliDox docking station for Honeywell BW Solo	DX-SOLO
Honeywell IntelliDox Nest for Honeywell BW Solo	DX-NEST-SOLO
Honeywell IntelliDox enabler kit UK version (United Kingdom)	DX-ENBL-UK
Honeywell IntelliDox enabler kit EU version (Europe)	DX-ENBL-EU
Honeywell IntelliDox enabler kit NA version (North America)	DX-ENBL-NA

Note: One Honeywell IntelliDoX® enabler kit is required for each docking system. Each docking system can support up to 5 Honeywell IntelliDoX® modules. Includes power supply with region-specific AC power cord, ethernet cable, inlet (purge) filter assembly, 3 ft. / 1 m calibration gas tubing, 3 ft. / 1 m purge gas tubing, 15 ft. / 4.5 m exhaust tubing and quick connect fittings.

Replacement Batteries & Accessories

	Order Number
BW Solo replacement battery	BWS-BAT01
BW Solo test/calibration cap	BWS-TC-1
Neck strap with safety release	GA-NS-1
Short strap (6 in./15.2 cm)	GA-LY-1
Extension strap (4 ft./1.2 m)	GA-ES-1
Chest harness	GA-CH-2
Manual aspirator pump kit with probe and filter (0.3 m/1 ft.) for Micro 5 and BW Solo	GA-AS02

Note: For complete list of Sampling & Testing Equipment, please refer to the Sampling Accessories section.



Chest harness
GA-CH-2



Neck strap with safety release
GA-NS-1



Short strap (6 in./15.2 cm)
GA-LY-1



Extension strap (4 ft./1.2 m)
GA-ES-1

Replacement Sensors

	Compatible Models	Order Number
Replacement carbon monoxide (CO) sensor (1-Series)	BWS, BWS1	SR-M1-1S
Replacement hydrogen sulfide (H ₂ S) sensor (1-Series)	BWS, BWS1	SR-H1-1S
Replacement oxygen (O ₂) sensor (1-Series)	BWS, BWS1	SR-X1-1S
Replacement Carbon Dioxide (CO ₂) sensor (1-Series)	BWS, BWS1	SR-B1-1S
Replacement chlorine (Cl ₂) sensor (4-Series)	All	PS-RC10
Replacement chlorine dioxide (ClO ₂) sensor (4-Series)	All	SR-V04
Replacement carbon monoxide, H ₂ resistant (CO-H) sensor (4-Series)	All	54-47-19
Replacement ethylene oxide (ETO) sensor (4-Series)	All	SR-ER04
Replacement hydrogen (H ₂) sensor (4-Series)	All	SR-RR04
Replacement hydrogen sulfide (H ₂ S), extended range sensor (4-Series)	All	PS-RH04S
Replacement hydrogen cyanide (HCN) sensor (4-Series)	All	SR-ZR04
Replacement ammonia (NH ₃) sensor (4-Series)	All	SR-A04
Replacement ammonia (NH ₃), extended range sensor (4-Series)	All	SR-A204
Replacement nitric oxide (NO) sensor (4-Series)	All	SR-NR04
Replacement nitrogen dioxide (NO ₂) sensor (4-Series)	All	PS-RD04
Replacement ozone (O ₃) sensor (4-Series)	All	SR-G04
Replacement Hydrogen Fluoride (HF) sensor (4-Series)	All	SR-HF-4S
Replacement Hydrogen Chloride (HCL) sensor (4-Series)	All	SR-HC-4S
Replacement phosphine (PH ₃) sensor (4-Series)	All	SR-P04
Replacement sulfur dioxide (SO ₂) sensor (4-Series)	All	PS-RS04

Service Made Simple

	Compatible Models	Order Number
Solo, 4-Year, 3-Day Depot, covers device, sensor and firmware	All	SPGBWS-A0000-P4I
Solo, 4-Year, 3-Day Depot, covers device, sensor and firmware	All	SPGBWS-B0000-P4I
Solo, 4-Year, 3-Day Depot, covers device, sensor and firmware	All	SPGBWS-C0000-P4I
Solo, 4-Year, 3-Day Depot, covers device, sensor and firmware	All	SPGBWS-D0000-P4I
Solo, 4-Year, 3-Day Depot, covers device, sensor and firmware	All	SPGBWS-E0000-P4I
Solo, 4-Year, 3-Day Depot, covers device, sensor and firmware	All	SPGBWS-G0000-P4I
Solo, 4-Year, 3-Day Depot, covers device, sensor and firmware	All	SPGBWS-H2000-P4I
Solo, 4-Year, 3-Day Depot, covers device, sensor and firmware	All	SPGBWS-HC000-P4I
Solo, 4-Year, 3-Day Depot, covers device, sensor and firmware	All	SPGBWS-HF000-P4I
Solo, 4-Year, 3-Day Depot, covers device, sensor and firmware	All	SPGBWS-M0000-P4I
Solo, 4-Year, 3-Day Depot, covers device, sensor and firmware	All	SPGBWS-N0000-P4I
Solo, 4-Year, 3-Day Depot, covers device, sensor and firmware	All	SPGBWS-P0000-P4I
Solo, 4-Year, 3-Day Depot, covers device, sensor and firmware	All	SPGBWS-R0000-P4I
Solo, 4-Year, 3-Day Depot, covers device, sensor and firmware	All	SPGBWS-S0000-P4I
Solo, 4-Year, 3-Day Depot, covers device, sensor and firmware	All	SPGBWS-V0000-P4I
Solo, 4-Year, 3-Day Depot, covers device, sensor and firmware	All	SPGBWS-X0000-P4I
Solo, 4-Year, 3-Day Depot, covers device, sensor and firmware	All	SPGBWS-Z0000-P4I
Solo, 4-Year, 5-Day Depot covers device and firmware	All	SPGBWS-00000-G4I
Solo, 1-Year Extended Warranty	All	SPGBWS-00000-E1I
Instrument Repair, Does not include Sensor Replacement	All	BWS-REPAIR

Rugged Smart Hand Held Device

Rugged Smart Hand Held device is an Android-based mobile application and phone that enables real-time communication between a worker's personal instruments and a remote monitoring system. The phone and the application act as a personal communication hub for a worker, which collects instrument readings and alarms from instruments over Bluetooth (BLE) or Wi-Fi and transmits in real time to a remote system over a 3G/4G/LTE communication network. The application also transmits a worker's information and location to the remote system, which allows safety managers to quickly react and provide necessary assistance in case of an emergency. This solution not only provides realtime visibility of worker safety, but it also improves productivity with real-time access to remote information and collaboration with peers.



Note 1: Please note that the Rugged Smart Hand Held app is NOT pre-loaded onto the device

Note 2: Safety Suite Subscription is needed to benefit from Real Time Monitoring

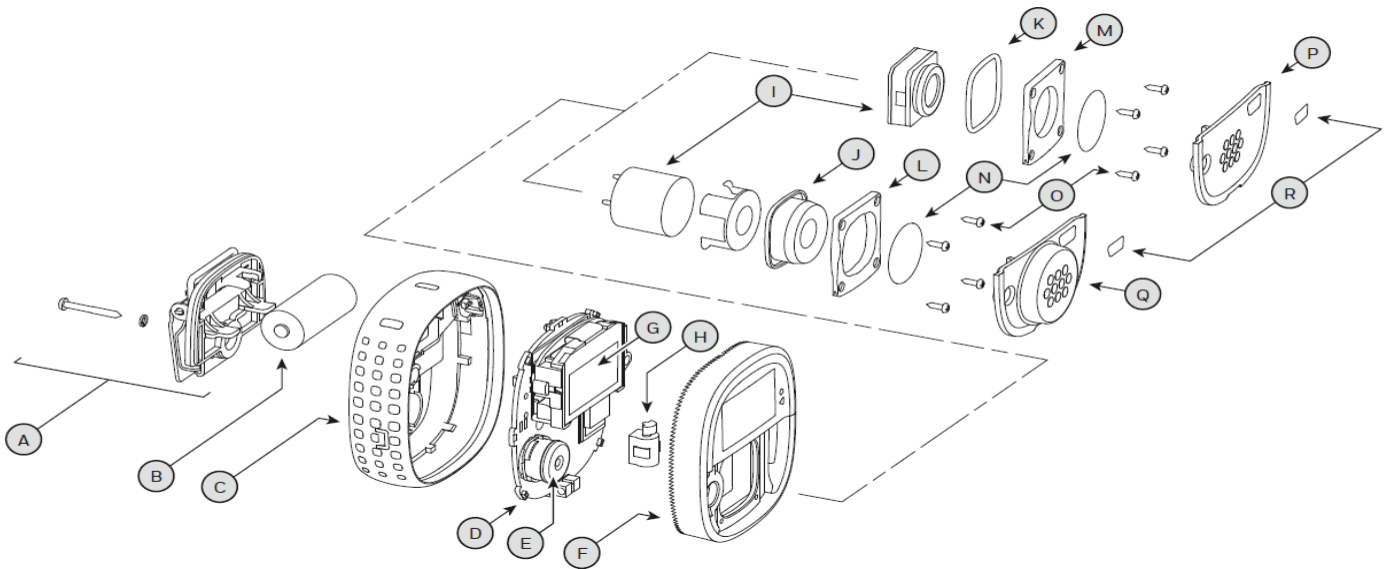
Description

Rugged Smart Hand Held (EU/UK)

Order Number

029-5402-200

* Check for availability



Note: Please refer to the instrument's documentation (shipped with the product or available at www.honeywellanalytics.com) for complete instructions on common service procedures. Improper servicing or maintenance may affect warranty eligibility. Honeywell assumes no liability for damages resulting from improper servicing or maintenance.

Service Parts	Legend	Minimum Service Training Level	Order Number
BW Solo Replacement battery cover kit, wireless	A	None	BWS-BH-2
BW Solo Replacement screw kit	A	None	BWS-SK1
BW Solo replacement battery	B	None	BWS-BAT01
BW Solo replacement back shell - yellow	C	Level-1	BWS-BC1
BW Solo replacement back shell - black		Level-1	BWS-BC1B
Replacement PCB, See replacement PCB's section	D	Level-2	
BW Solo replacement buzzer sealing ring	E	Level-1	BWS-HS-1
BW Solo replacement front shell	F	Level-1	BWS-FC1
BW Solo replacement LCD	G	Level-1	BWS-LCD
Replacement vibration motor	H	Level-1	GA-VM-2
Replacement sensors, see page 3	I	Level-1	
BW Solo Replacement 4-Series sensor sealing rings (kit of 10)	J	Level-1	BWS-ORING-4S-K1
BW Solo Replacement 1-Series sensor o-rings (kit of 10)	K	Level-1	BWS-ORING-1S-K1
BW Solo Replacement 4-Series sensor fixer kit	L	Level-1	BWS-4SC-1
BW Solo replacement 1 Series sensor fixer kit	M	Level-1	BWS-WSC-1
BW Solo Replacement sensor screens (kit of 10)	N	None	BWS-SS
BW Solo Replacement sensor fixer screws (kit of 25)	O	Level-1	BWS-SCREW-K1
BW Solo Replacement 4-Series front cover	P	None	BWS-4C-1
BW Solo Replacement 1-Series front cover	Q	None	BWS-WC-1
Replacement gas type label, See replacement labels section	R	None	

Note: For service and trainings, please refer to the Training and Service Information sections.

Replacement PCB's

	Order Number
Replacement PCB Chlorine (Cl ₂) - Wireless	BWS1-C-PCB1
Replacement PCB Chlorine Dioxide (ClO ₂) - Wireless	BWS1-V-PCB1
Replacement PCB Carbon Monoxide (CO) - Wireless	BWS1-ML-PCB1
Replacement PCB Carbon Dioxide (CO ₂) - Wireless	BWS1-BL-PCB1
Replacement PCB Carbon Monoxide-H ₂ resistant (CO-H) - Wireless	BWS1-M2-PCB1
Replacement PCB Ethylene Oxide (ETO) - Wireless	BWS1-E-PCB1
Replacement PCB Hydrogen (H ₂) - Wireless	BWS1-R-PCB1
Replacement PCB Hydrogen Sulfide (H ₂ S) - Wireless	BWS1-HL-PCB1
Replacement PCB Hydrogen Sulfide ext. range (H ₂ S Ext) - Wireless	BWS1-H2-PCB1
Replacement PCB Hydrogen Cyanide (HCN) - Wireless	BWS1-Z-PCB1
Replacement PCB Ammonia (NH ₃) - Wireless	BWS1-A-PCB1
Replacement PCB Ammonia ext. range (NH ₃ Ext) - Wireless	BWS1-A2-PCB1
Replacement PCB Nitric Oxide (NO) - Wireless	BWS1-N-PCB1
Replacement PCB Nitrogen Dioxide (NO ₂) - Wireless	BWS1-D-PCB1
Replacement PCB Oxygen (O ₂) - Wireless	BWS1-XL-PCB1
Replacement PCB Ozone (O ₃) - Wireless	BWS1-G-PCB1
Replacement PCB Phosphine (PH ₃) - Wireless	BWS1-P-PCB1
Replacement PCB Sulfur Dioxide (SO ₂) - Wireless	BWS1-S-PCB1

Replacement Labels

	Order Number
Replacement Label Chlorine (Cl ₂)	BWS-C-LABEL
Replacement Label Chlorine Dioxide (ClO ₂)	BWS-V-LABEL
Replacement Label Carbon Monoxide CO	BWS-M-LABEL
Replacement Label Carbon Dioxide (CO ₂)	BWS-B-LABEL
Replacement Label Carbon Monoxide-H ₂ resistant (CO-H)	BWS-M2-LABEL
Replacement Label Ethylene Oxide (ETO)	BWS-E-LABEL
Replacement Label Hydrogen (H ₂)	BWS-R-LABEL
Replacement Label Hydrogen Sulfide (H ₂ S)	BWS-H-LABEL
Replacement Label Hydrogen Cyanide (HCN)	BWS-Z-LABEL
Replacement Label Ammonia (NH ₃)	BWS-A-LABEL
Replacement Label Nitric Oxide (NO)	BWS-N-LABEL
Replacement Label Nitrogen Dioxide (NO ₂)	BWS-D-LABEL
Replacement Label Hydrogen Chloride (HC)	BWS-HC-LABEL
Replacement Label Hydrogen Fluoride (HF)	BWS-HF-LABEL
Replacement Label Oxygen (O ₂)	BWS-X-LABEL
Replacement Label Ozone (O ₃)	BWS-G-LABEL
Replacement Label Phosphine (PH ₃)	BWS-P-LABEL
Replacement Label Sulfur Dioxide (SO ₂)	BWS-S-LABEL